

Micro vacuum cup spring suspensions

Threaded connection female, stainless steel, aluminium and brass

MATERIAL

Stainless steel stem.
Stainless steel spring.
Zinc-plated steel threaded sleeve and hexagonal nuts.
Quick fitting in blue anodised aluminium.

STANDARD EXECUTIONS

- **VPH-F**: with straight quick fitting.
- **VPH-F-L**: with L-shaped quick fitting.
- **VPH-F-T**: with T-shaped quick fitting.
- **VPH-F-SR**: without fitting.
- **VPH-F-RR**: with quick fitting, without ring nut.

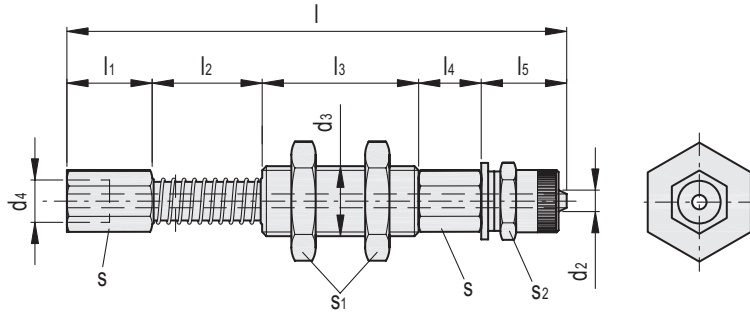
FEATURES

- VPH vacuum cup suspensions comprise:
- a stainless steel stem to fix the vacuum cup;
 - a steel threaded sleeve, equipped with two hexagonal nuts, for height adjustment and for mounting them on the automation device;
 - a spring to cushion the impact of the vacuum cup and at the same time maintain a constant pressure with the load to be lifted;
 - a quick fitting for connection to the suction hose.

Characterised by very small dimensions (about 50% less than VPA vacuum cup suspensions) and reduced weight (about 50% less than VPD vacuum cup suspensions).

To be used specifically with vacuum cups with M5 male support.
The effective spring stroke in relation to the length l_2 is equal to 10 mm

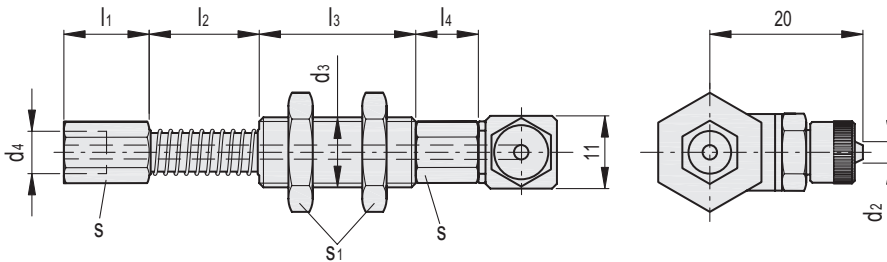
Compatible with 4x6 diameter plastic tube.
See Technical Data for vacuum cups (on page -).



VPH-F

STAINLESS STEEL

Code	Description	d2*	d3	d4	l	l1	l2	l3	l4	l5	s	s1	s2	⚖
VV.46001	VPH-80-05-M5-F	4	M10x0.75	M5	73.5	10	14	22	10	17.5	13	13	10	20

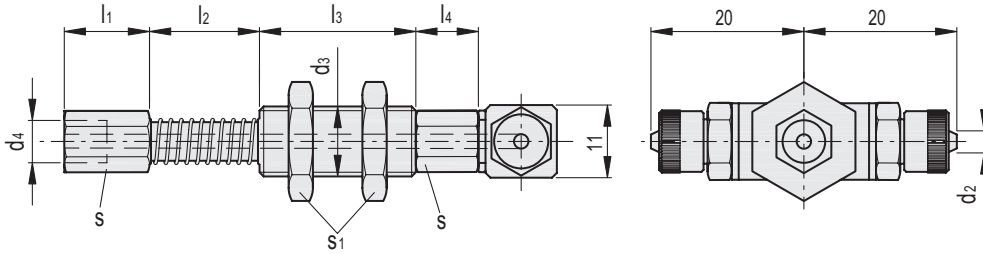


VPH-F-L

STAINLESS STEEL

Code	Description	d2*	d3	d4	l1	l2	l3	l4	s	s1	⚖
VV.46002	VPH-80-05-M5-F-L	4	M10x0.75	M5	10	14	22	10	13	13	25

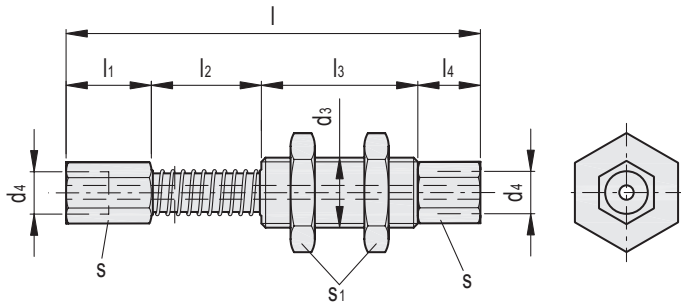
* Compatible with compressed air tubes of the diameter in the table.



VPH-F-T

STAINLESS STEEL

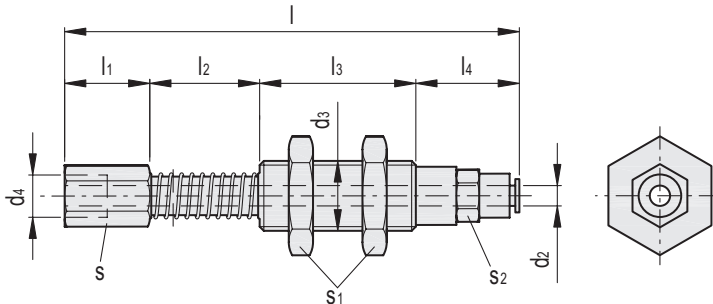
Code	Description	d2*	d3	d4	l1	l2	l3	l4	s	s1	⚖️
VV.46003	VPH-80-05-M5-F-T	4	M10x0.75	M5	10	14	22	10	13	13	30



VPH-F-SR

STAINLESS STEEL

Code	Description	d3	d4	l	l1	l2	l3	l4	s	s1	⚖️
VV.46005	VPH-80-05-M5-F-SR	M10x0.75	M5	56	10	14	22	10	13	13	14



VPH-F-RR

STAINLESS STEEL

Code	Description	d2*	d3	d4	l	l1	l2	l3	l4	s	s1	s2	⚖️
VV.46004	VPH-80-05-M5-F-RR	3	M10x0.75	M5	63	10	14	22	17	13	13	7	16

* Compatible with compressed air tubes of the diameter in the table.

