

## Indexing plungers

Rest position, SUPER-technopolymer body

### THREADED BODY

Glass-fibre reinforced polyamide based (PA) SUPER-technopolymer.

### PLUNGER

Black-oxide hardened steel or AISI 303 stainless steel.  
Suggested tolerance H7 for matching hole.

### LEVER

Self-lubricating glass-fibre reinforced polyamide based (PA) technopolymer, black colour, matte finish.

### SPRING

AISI 302 stainless steel.

### STANDARD EXECUTIONS

- **PMT.200-A:** black-oxide steel plunger, without locking nut.
- **PMT.200-AK:** black-oxide steel plunger, with locking nut (supplied not assembled).
- **PMT.200-SST-A:** AISI 303 stainless steel plunger, without locking nut, not magnetic.
- **PMT.200-SST-AK:** AISI 303 stainless steel plunger, with locking nut (supplied not assembled), not magnetic.

### FEATURES AND APPLICATIONS

- PMT.200 lever indexing plungers are used when the plunger must be retracted quickly.
- By rotating the lifting lever by 180°, the plunger stops in the retracted position in which the lever is kept by a notch.
- High lightness and high mechanical resistance of the product.
- Anticorrosive material: suitable even in the presence of liquid or humidity (PMT.200-SST).
- The SUPER-technopolymer threaded body of the plunger offers a low friction factor to the plunger stroke; no lubricating maintenance is required.

### ACCESSORIES ON REQUEST

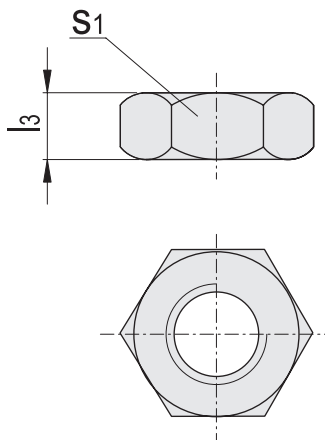
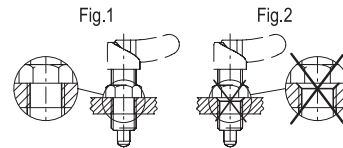
- NTT: special glass-fibre reinforced polyamide based (PA) SUPER-technopolymer locking nut (see table).



ELESA Original design

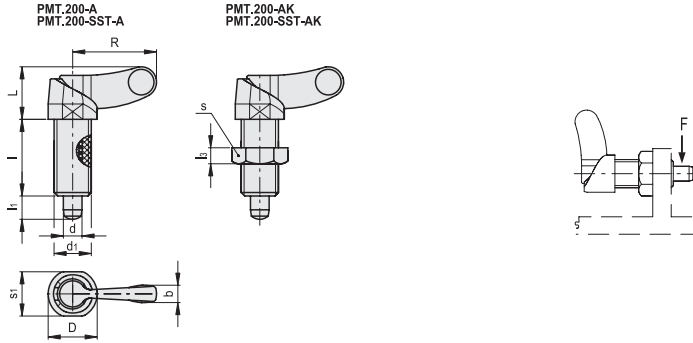
### ASSEMBLY INSTRUCTIONS

Make sure that no machining residues are left on the threaded hole for the assembly of PMT.200 indexing plunger (see fig. 1). Do not make any chamfering in the hole (see fig. 2). SUPER-technopolymer product based on ELESA technology, dimensions of the threaded body and plunger according to GN 612 standards as agreed with Otto Ganter GmbH Co. KG. Knob: Elelsa original design.



### NTT

Code	Description	$\Delta\Delta$
301083	NTT-M10x1	2
301085	NTT-M12x1,5	3
301087	NTT-M16x1,5	5
301089	NTT-M20x1,5	9



**PMT.200-A**

Code	Description	d Plunger -0.15 -0.1 Hole H7	d1	L	D	R	b	l	li	s1	[N]*	[N]#	Max. tightening torque [Nm]	Max. static load F[N]	⚖️
51694	PMT.200-4-M10x1-A	4	M10x1	14	13	22	5	19	6	12	7	20	5	1500	7
51695	PMT.200-5-M10x1-A	5	M10x1	14	13	22	5	19	6	12	7	20	5	1500	8
51696	PMT.200-5-M12x1,5-A	5	M12x1.5	17	15.5	26.5	5.5	26	8	14	9	35	9	3000	13
51702	PMT.200-6-M12x1,5-A	6	M12x1.5	17	15.5	26.5	5.5	26	8	14	9	35	9	3000	13
51705	PMT.200-6-M16x1,5-A	6	M16x1.5	21	20.5	32.5	7	30	10	19	10	40	18	3000	25
51711	PMT.200-8-M16x1,5-A	8	M16x1.5	21	20.5	32.5	7	30	10	19	10	40	18	3000	26
51712	PMT.200-8-M20x1,5-A	8	M20x1.5	25	25.5	40	9	36	12	24	20	60	25	4500	48
51716	PMT.200-10-M20x1,5-A	10	M20x1.5	25	25.5	40	9	36	12	24	20	60	25	4500	49

**PMT.200-SST-A**

**STAINLESS STEEL**

51744	PMT.200-SST-4-M10x1-A	4	M10x1	14	13	22	5	19	6	12	7	20	5	1000	7
51745	PMT.200-SST-5-M10x1-A	5	M10x1	14	13	22	5	19	6	12	7	20	5	1000	8
51746	PMT.200-SST-5-M12x1,5-A	5	M12x1.5	17	15.5	26.5	5.5	26	8	14	9	35	9	2000	13
51752	PMT.200-SST-6-M12x1,5-A	6	M12x1.5	17	15.5	26.5	5.5	26	8	14	9	35	9	2000	13
51755	PMT.200-SST-6-M16x1,5-A	6	M16x1.5	21	20.5	32.5	7	30	10	19	10	40	18	2000	25
51761	PMT.200-SST-8-M16x1,5-A	8	M16x1.5	21	20.5	32.5	7	30	10	19	10	40	18	2000	26
51762	PMT.200-SST-8-M20x1,5-A	8	M20x1.5	25	25.5	40	9	36	12	24	20	60	25	4000	48
51766	PMT.200-SST-10-M20x1,5-A	10	M20x1.5	25	25.5	40	9	36	12	24	20	60	25	4000	49

**PMT.200-AK**

Code	Description	d Plunger -0.15 -0.1 Hole H7	d1	L	D	R	b	l	li	l3	s	s1	[N]*	[N]#	Max. tightening torque [Nm]	Max. static load F[N]	⚖️
51718	PMT.200-4-M10x1-AK	4	M10x1	14	13	22	5	19	6	7	16	12	7	20	5	1500	9
51719	PMT.200-5-M10x1-AK	5	M10x1	14	13	22	5	19	6	7	16	12	7	20	5	1500	10
51720	PMT.200-5-M12x1,5-AK	5	M12x1.5	17	15.5	26.5	5.5	26	8	8	19	14	9	35	9	3000	16
51722	PMT.200-6-M12x1,5-AK	6	M12x1.5	17	15.5	26.5	5.5	26	8	8	19	14	9	35	9	3000	16
51724	PMT.200-6-M16x1,5-AK	6	M16x1.5	21	20.5	32.5	7	30	10	10	24	19	10	40	18	3000	30
51731	PMT.200-8-M16x1,5-AK	8	M16x1.5	21	20.5	32.5	7	30	10	10	24	19	10	40	18	3000	31
51732	PMT.200-8-M20x1,5-AK	8	M20x1.5	25	25.5	40	9	36	12	11	30	24	20	60	25	4500	57
51736	PMT.200-10-M20x1,5-AK	10	M20x1.5	25	25.5	40	9	36	12	11	30	24	20	60	25	4500	58

**PMT.200-SST-AK**

**STAINLESS STEEL**

51768	PMT.200-SST-4-M10x1-AK	4	M10x1	14	13	22	5	19	6	7	16	12	7	20	5	1000	9
51769	PMT.200-SST-5-M10x1-AK	5	M10x1	14	13	22	5	19	6	7	16	12	7	20	5	1000	10
51770	PMT.200-SST-5-M12x1,5-AK	5	M12x1.5	17	15.5	26.5	5.5	26	8	8	19	14	9	35	9	2000	16
51772	PMT.200-SST-6-M12x1,5-AK	6	M12x1.5	17	15.5	26.5	5.5	26	8	8	19	14	9	35	9	2000	16
51774	PMT.200-SST-6-M16x1,5-AK	6	M16x1.5	21	20.5	32.5	7	30	10	10	24	19	10	40	18	2000	30
51781	PMT.200-SST-8-M16x1,5-AK	8	M16x1.5	21	20.5	32.5	7	30	10	10	24	19	10	40	18	2000	31
51782	PMT.200-SST-8-M20x1,5-AK	8	M20x1.5	25	25.5	40	9	36	12	11	30	24	20	60	25	4000	57
51786	PMT.200-SST-10-M20x1,5-AK	10	M20x1.5	25	25.5	40	9	36	12	11	30	24	20	60	25	4000	58

\* Spring preload

# Spring maximum load



Indexing elements