

Control knurled knobs

With pointer, Duroplast chrome-plated

MATERIAL

Phenolic based (PF) Duroplast chrome-plated, glossy finish.
Black pad-printed pointer index line, placed at 180° from the transverse pressure screw.

STANDARD EXECUTION

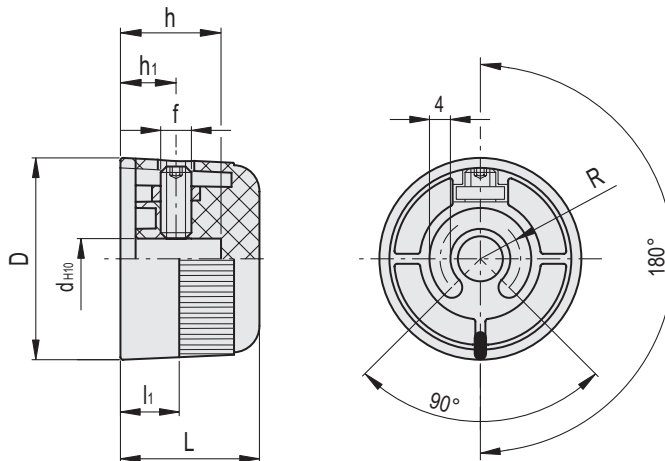
Plain blind hole, fixing by means of a transverse pressure screw according to UNI 5929-85 in AISI 304 stainless steel (headless screw with hexagonal socket and cupped end) which screws into the AISI 304 stainless steel nut. Supplied.

FEATURES

A limited manoeuvre angle is possible by fitting stop pins in the rear guide slot.



ELESA Original design



| Code | Description | D | d _{H10} | L | li | h | h ₁ | f | R | △ |
|--------|------------------|----|------------------|------|------|------|----------------|----|-----|----|
| 152861 | MI.304/35-CR N-6 | 35 | 6 | 24.5 | 10 | 18 | 11 | M5 | 6.2 | 21 |
| 152863 | MI.304/40-CR N-8 | 40 | 8 | 27.5 | 11.5 | 20 | 11 | M5 | 8 | 30 |
| 152865 | MI.304/45-CR N-8 | 46 | 8 | 29.5 | 12.5 | 21.5 | 11 | M5 | 8.4 | 41 |