

## Column level indicators

### SUPER-technopolymer assembly screws, with or without protection frame

#### MATERIAL

Transparent polyamide based (PA-T) technopolymer. Highly resistant to shocks, solvents, oils with additives, aliphatic and aromatic hydrocarbons, petrol, naphtha, phosphoric esters.

Avoid contact with alcohol or detergents containing alcohol.

#### PROTECTION FRAME

Glass-fibre reinforced polyamide (PA) SUPER-technopolymer, black colour, matte finish. Supplied assembled, removable by a screwdriver.

#### SCREWS

Glass-fibre reinforced polyamide (PA) SUPER-technopolymer, lightweight and high mechanical strength.

Anticorrosive material: suitable even in the presence of liquid or humidity.

Resistant to several washing cycles with solvents and detergents, for this reason it is suitable for applications in the pharmaceutical or food industry.

#### NUTS AND WASHERS

AISI 304 stainless steel.

#### PACKING RINGS

Step-shaped for the seal on the reservoir walls and NBR synthetic rubber O-ring screw underneath.

Suggested roughness of the packing ring application surface  $R_a = 3 \mu\text{m}$ .

#### CONTRAST SCREEN

White lacquered aluminium. The housing, in the appropriate external rear slot, guarantees the best protection from direct contact with fluid.

It can be taken out from the inclined side, before assembly to allow the insertion of level lines or words.

#### STANDARD EXECUTIONS

- **HCZ-VT**: without thermometer and without protection frame.
- **HCZ/T-VT**: with thermometer incorporated, without protection frame.
- **HCZ-P-VT**: without thermometer, with protection frame.
- **HCZ/T-P-VT**: with thermometer incorporated and protection frame.

#### MAXIMUM CONTINUOUS WORKING TEMPERATURE

90°C (with oil).

#### SPECIAL EXECUTIONS ON REQUEST

UV resistant transparent technopolymer indicators.



ELESA Original design

#### FEATURES AND PERFORMANCES

Thanks to the SUPER-technopolymer screws, HCZ-VT column level indicator can be used in corrosion resistance applications where stainless steel is not necessary.

The special slotted head of the SUPER-technopolymer screws is especially designed to reach an optimum tightening of the packing rings by applying an adequate tightening torque (ELESA patent) thus avoiding unnecessary stress to the screws.

Ultrasound welding to guarantee a perfect seal.

Lens effect for a better visibility of the fluid level and temperature.

Special openings in the protection frame provide maximum fluid level visibility even from side positions.

All shocks are absorbed by the frame that transmits them directly onto the wall of the reservoir.

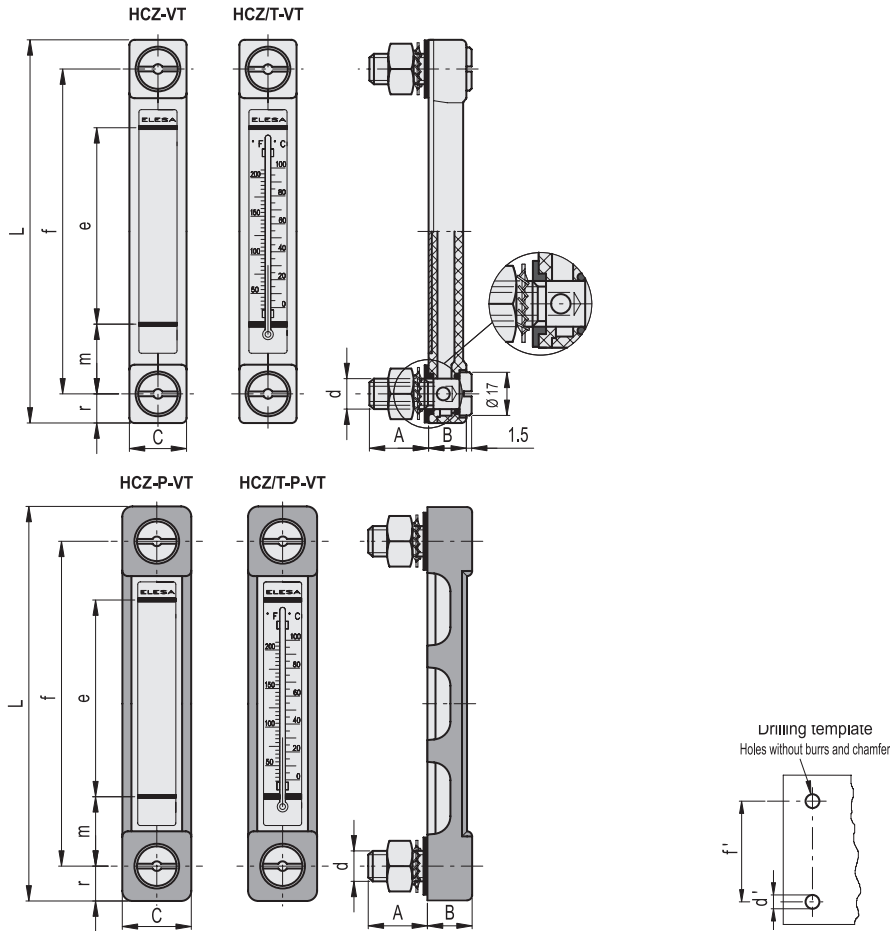
#### TECHNICAL DATA

Considering the SUPER-technopolymer screws, the maximum working pressure cannot be higher than 5 bar at 20°C and 2 bar at 90°C.

For higher pressure values use HCZ-SST with stainless steel screws.

For use with other fluids and under different pressure and temperature conditions, please contact ELESA Technical Department.

In any case we suggest to verify the suitability of the product under the actual working conditions.



### HCZ-VT

Code	Description	f	d	A	B	C	L	e	m	r	d' <sup>±0.2</sup>	f' <sup>±0.2</sup>	C# [Nm]	⚖
111382	HCZ.76-VT-M12	76	M12	23.5	15	22	99	40	18	11.5	12.5	76	6	67
111385	HCZ.127-VT-M12	127	M12	23.5	15	22	150	80	23	11.5	12.5	127	6	78
111388	HCZ.254-VT-M12	254	M12	23.5	15	24	278	203	25	12.5	12.5	254	6	110

### HCZ/T-VT

Code	Description	f	d	A	B	C	L	e	m	r	d' <sup>±0.2</sup>	f' <sup>±0.2</sup>	Thermometer scale °C	Thermometer scale °F	C# [Nm]	⚖
111383	HCZ.76/T-VT-M12	76	M12	23.5	15	22	99	40	18	11.5	12.5	76	20+100	68+210	6	68
111386	HCZ.127/T-VT-M12	127	M12	23.5	15	22	150	80	23	11.5	12.5	127	0+100	32+210	6	79
111389	HCZ.254/T-VT-M12	254	M12	23.5	15	24	278	203	25	12.5	12.5	254	0+100	32+210	6	111

### HCZ-P-VT

Code	Description	f	d	A	B	C	L	e	m	r	d' <sup>±0.2</sup>	f' <sup>±0.2</sup>	C# [Nm]	⚖
111392	HCZ.76-P-VT-M12	76	M12	23.5	17.5	27	105	40	18	14.5	12.5	76	6	85
111395	HCZ.127-P-VT-M12	127	M12	23.5	17.5	27	156	80	23	14.5	12.5	127	6	104
111398	HCZ.254-P-VT-M12	254	M12	23.5	17.5	31	284	203	25	15.5	12.5	254	6	169

### HCZ/T-P-VT

Code	Description	f	d	A	B	C	L	e	m	r	d' <sup>±0.2</sup>	f' <sup>±0.2</sup>	Thermometer scale °C	Thermometer scale °F	C# [Nm]	⚖
111393	HCZ.76/T-P-VT-M12	76	M12	23.5	17.5	27	105	40	18	14.5	12.5	76	20+100	68+210	6	86
111396	HCZ.127/T-P-VT-M12	127	M12	23.5	17.5	27	156	80	23	14.5	12.5	127	0+100	32+210	6	105
111399	HCZ.254/T-P-VT-M12	254	M12	23.5	17.5	31	284	203	25	15.5	12.5	254	0+100	32+210	6	170

# Maximum tightening torque

