



## Wing Screws

**Stainless Steel, Hygienic Design**

### SPECIFICATION

- Stainless steel  
precision casting AISI 316
- Matte finish ( $Ra < 0.8 \mu m$ ) **MT**
  - Polished finish ( $Ra < 0.8 \mu m$ ) **PL**

Sealing ring

- H-NBR **H**  
Temperature resistant  $-25\text{ }^{\circ}\text{C}$  to  $+150\text{ }^{\circ}\text{C}$
- EPDM **E**  
Temperature resistant  $-40\text{ }^{\circ}\text{C}$  to  $+120\text{ }^{\circ}\text{C}$
- Blue
- Hardness  $85 \pm 5$  Shore A
- FDA compliant

### INFORMATION

Wing screws GN 8351 are intended for use in hygienic areas. The version with PL finish comply with the guidelines of the EHEDG. The sealed mounting surface enables mounting without dead spaces; the impervious geometry in combination with the high quality finish prevents the accumulation of dirt and facilitates cleaning. Wing screws clamp and fasten parts easily without tools. The ergonomic shape allows for high tightening forces. The wing screws can also be used in particularly aggressive environments thanks to the material used.

### ACCESSORY

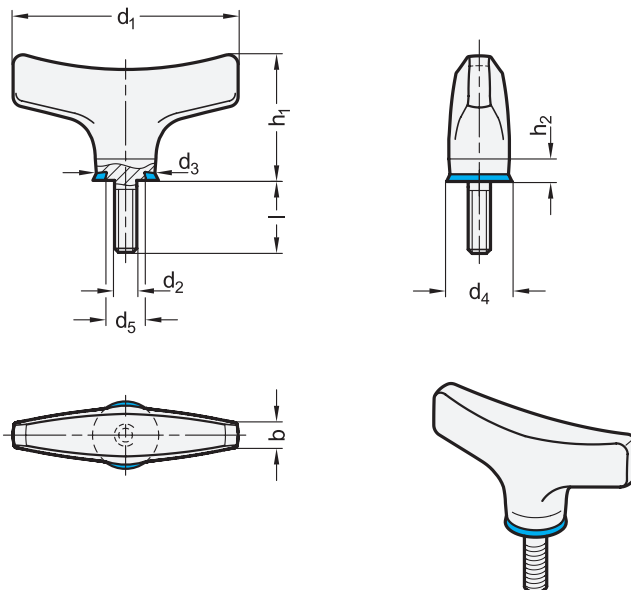
- Sealing Rings GN 7600 (see page )

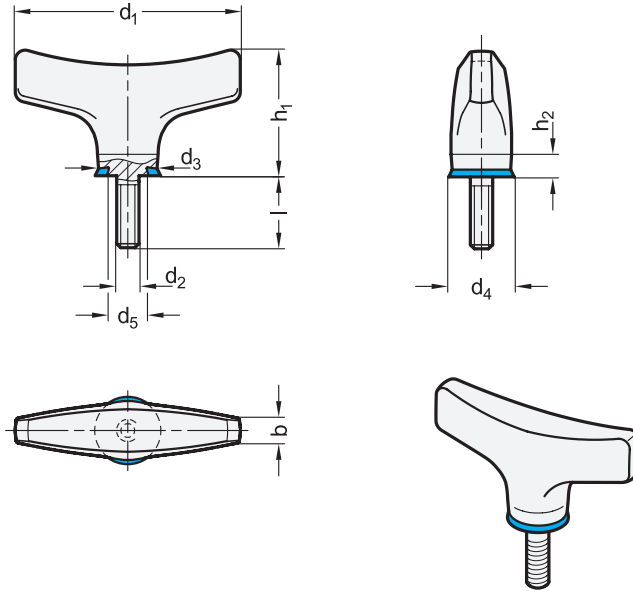
### ON REQUEST

- with FKM sealing ring (Fluorine rubber)

### TECHNICAL INFORMATION

- Plastic Characteristics (see page A2)
- Stainless Steel Characteristics (see page A26)





\* Complete with

**MT**  
Matte finish

**PL**  
Polished finish

**GN 8351-H**

**STAINLESS STEEL**

Description	d1	d2	l	b	d3	d4	d5	h1	h2 ≈	⚖
GN 8351-40-M4-8-* <b>-H</b>	40	M 4	8	4	11	11.8	7	22	4	30
GN 8351-40-M4-12-* <b>-H</b>	40	M 4	12	4	11	11.8	7	22	4	31
GN 8351-40-M4-16-* <b>-H</b>	40	M 4	16	4	11	11.8	7	22	4	32
GN 8351-50-M5-12-* <b>-H</b>	50	M 5	12	5	13	13.8	9	28	5	57
GN 8351-50-M5-16-* <b>-H</b>	50	M 5	16	5	13	13.8	9	28	5	59
GN 8351-50-M5-20-* <b>-H</b>	50	M 5	20	5	13	13.8	9	28	5	61
GN 8351-63-M6-16-* <b>-H</b>	63	M 6	16	7	16	16.8	12	35	6	106
GN 8351-63-M6-20-* <b>-H</b>	63	M 6	20	7	16	16.8	12	35	6	109
GN 8351-63-M6-25-* <b>-H</b>	63	M 6	25	7	16	16.8	12	35	6	112

Weight type MT

**GN 8351-E**

**STAINLESS STEEL**

Description	d1	d2	l	b	d3	d4	d5	h1	h2 ≈	⚖
GN 8351-40-M4-8-* <b>-E</b>	40	M 4	8	4	11	11.8	7	22	4	30
GN 8351-40-M4-12-* <b>-E</b>	40	M 4	12	4	11	11.8	7	22	4	31
GN 8351-40-M4-16-* <b>-E</b>	40	M 4	16	4	11	11.8	7	22	4	32
GN 8351-50-M5-12-* <b>-E</b>	50	M 5	12	5	13	13.8	9	28	5	57
GN 8351-50-M5-16-* <b>-E</b>	50	M 5	16	5	13	13.8	9	28	5	59
GN 8351-50-M5-20-* <b>-E</b>	50	M 5	20	5	13	13.8	9	28	5	61
GN 8351-63-M6-16-* <b>-E</b>	63	M 6	16	7	16	16.8	12	35	6	106
GN 8351-63-M6-20-* <b>-E</b>	63	M 6	20	7	16	16.8	12	35	6	109
GN 8351-63-M6-25-* <b>-E</b>	63	M 6	25	7	16	16.8	12	35	6	112

Weight type MT

