

Stainless Steel-Foot plates

for grub screws DIN 6332

Types

- Type **OS**: without plastic cap
- Type **KS**: with plastic cap, gliding
- Type **KR**: with plastic cap, non-gliding

Stainless Steel

AISI 304

Retaining spring

Stainless Steel AISI 301

Plastic caps

Type KS

Technopolymer (Polyacetal POM)

white (natural colour) RAL 9001

Type KR

Elastomer (TPE)

Hardness \approx 75 Shore A

black



INFORMATION

Stainless Steel-Foot plates GN 6311.5 are used in connection with screws with pivots (grub screws DIN 6332 (see page 912) for installing and leveling devices and mechanisms.

Owing to the special shape of the immovable retaining spring, the foot plate is easily plugged onto and removed from, the pivot.

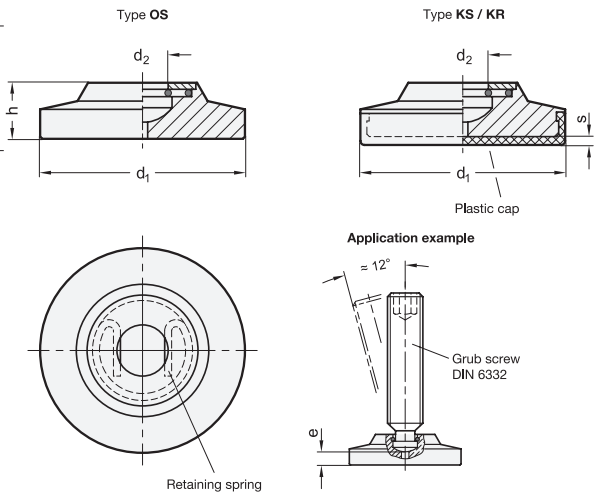
The types KS and KR with plastic cap prevent damage to sensitive surfaces. Due to the large plate diameter d_1 , the contact pressure remains within tolerable limits.

TECHNICAL INFORMATION

- Plastic characteristics (see page A2)
- Elastomer characteristics (see page A32)
- Stainless Steel characteristics (see page A26)

ACCESSORY

Grub screws DIN 6332 (see page 912)



GN 6311.5

STAINLESS STEEL

| Description | d_1 | h | $d_2 \pm 0.2$ | $e \approx$ | s | Grub screw DIN 6332 | Δ |
|----------------------|-------|------|---------------|-------------|-----|------------------------|----------|
| GN 6311.5-50-11.5-KR | 50 | 11.5 | 9.2 | 3.7 | 1.7 | M 12 | 118 |
| GN 6311.5-50-11.5-KS | 50 | 11.5 | 9.2 | 3.7 | 1.7 | M 12 | 135 |
| GN 6311.5-50-11.5-OS | 50 | 11.5 | 9.2 | 3.7 | - | M 12 | 135 |
| GN 6311.5-50-13.5-KR | 50 | 13.5 | 12.5 | 4 | 1.7 | M 16 | 124 |
| GN 6311.5-50-13.5-KS | 50 | 13.5 | 12.5 | 4 | 1.7 | M 16 | 144 |
| GN 6311.5-50-13.5-OS | 50 | 13.5 | 12.5 | 4 | - | M 16 | 144 |
| GN 6311.5-60-13.5-KR | 60 | 13.5 | 12.5 | 4 | 1.7 | M 16 | 201 |
| GN 6311.5-60-13.5-KS | 60 | 13.5 | 12.5 | 4 | 1.7 | M 16 | 230 |
| GN 6311.5-60-13.5-OS | 60 | 13.5 | 12.5 | 4 | - | M 16 | 230 |
| GN 6311.5-60-15.5-KR | 60 | 15.5 | 16.5 | 4.3 | 1.7 | M 20 | 208 |
| GN 6311.5-60-15.5-KS | 60 | 15.5 | 16.5 | 4.3 | 1.7 | M 20 | 238 |
| GN 6311.5-60-15.5-OS | 60 | 15.5 | 16.5 | 4.3 | - | M 20 | 238 |