

Retained fluted knobs

Technopolymer

MATERIAL

Polyamide based (PA) technopolymer, black colour, matte finish.

STANDARD EXECUTIONS

- **BT-HP-p**: polished zinc-plated steel threaded stud, chamfered flat end UNI EN ISO 4753 : 2012 (see Technical data).
- **BT-HP-SST-p**: AISI 304 stainless steel threaded stud, chamfered flat end UNI EN ISO 4753 : 2012 (see Technical data).

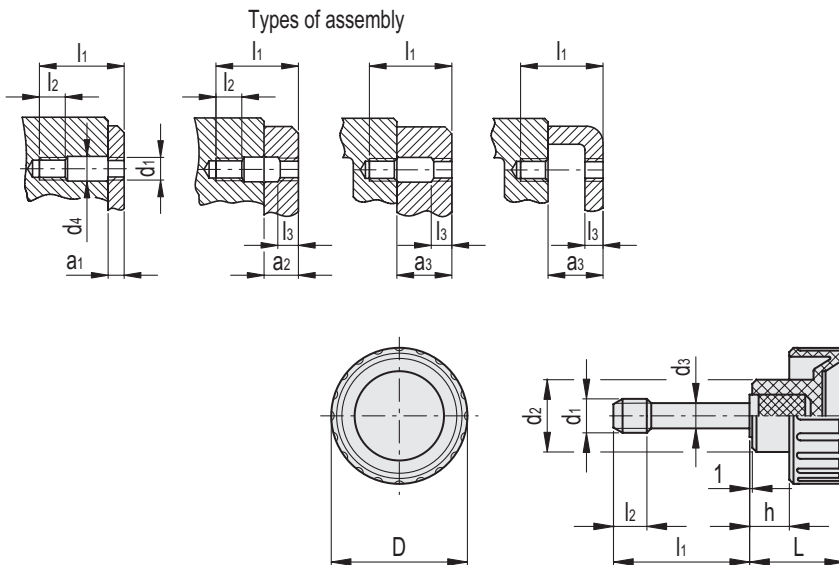
FEATURES AND APPLICATIONS

The retained fluted knobs are used to secure blanking plates, covers, or other items without the risk of loss.

This is made possible by the non-threaded part of the stem, which allows the knob to remain anchored (retained) to the machinery.



ELESA Original design



BT-HP-p

Code	Description	D	L	d ₁	d ₂	d ₃ ±0.1	d ₄	l ₁	l ₂	l ₃	h	a ₁	a ₂	a ₃	⚖
5351	BT-HP.25-p-M6x22	25	19	M6	16	4.7	6.5	22	8	3	8	5 ÷ 8	10 ÷ 16	15 ÷ 24	13
5356	BT-HP.25-p-M6x32	25	19	M6	16	4.7	6.5	32	8	3	8	5 ÷ 8	10 ÷ 16	15 ÷ 24	15
5361	BT-HP.25-p-M8x30	25	19	M8	16	6.5	8.5	30	10	4	8	7 ÷ 10	14 ÷ 20	21 ÷ 30	18
5366	BT-HP.25-p-M8x40	25	19	M8	16	6.5	8.5	40	10	4	8	7 ÷ 10	14 ÷ 20	21 ÷ 30	23
5369	BT-HP.32-p-M6x18	32	23	M6	17	4.7	6.5	18	8	3	9	5 ÷ 8	10 ÷ 16	15 ÷ 24	15
5371	BT-HP.32-p-M6x22	32	23	M6	17	4.7	6.5	22	8	3	9	5 ÷ 8	10 ÷ 16	15 ÷ 24	16
5376	BT-HP.32-p-M6x32	32	23	M6	17	4.7	6.5	32	8	3	9	5 ÷ 8	10 ÷ 16	15 ÷ 24	18
5381	BT-HP.32-p-M8x30	32	23	M8	17	6.5	8.5	30	10	4	9	7 ÷ 10	14 ÷ 20	21 ÷ 30	22
5386	BT-HP.32-p-M8x40	32	23	M8	17	6.5	8.5	40	10	4	9	7 ÷ 10	14 ÷ 20	21 ÷ 30	27

BT-HP-SST-p

Code	Description	D	L	d ₁	d ₂	d ₃ ±0.1	d ₄	l ₁	l ₂	l ₃	h	a ₁	a ₂	a ₃	⚖
105351	BT-HP.25-SST-p-M6x22	25	19	M6	16	4.7	6.5	22	8	3	8	5 ÷ 8	10 ÷ 16	15 ÷ 24	13
105356	BT-HP.25-SST-p-M6x32	25	19	M6	16	4.7	6.5	32	8	3	8	5 ÷ 8	10 ÷ 16	15 ÷ 24	15
105361	BT-HP.25-SST-p-M8x30	25	19	M8	16	6.5	8.5	30	10	4	8	7 ÷ 10	14 ÷ 20	21 ÷ 30	18
105366	BT-HP.25-SST-p-M8x40	25	19	M8	16	6.5	8.5	40	10	4	8	7 ÷ 10	14 ÷ 20	21 ÷ 30	23
105371	BT-HP.32-SST-p-M6x22	32	23	M6	17	4.7	6.5	22	8	3	9	5 ÷ 8	10 ÷ 16	15 ÷ 24	16
105376	BT-HP.32-SST-p-M6x32	32	23	M6	17	4.7	6.5	32	8	3	9	5 ÷ 8	10 ÷ 16	15 ÷ 24	18
105381	BT-HP.32-SST-p-M8x30	32	23	M8	17	6.5	8.5	30	10	4	9	7 ÷ 10	14 ÷ 20	21 ÷ 30	22
105386	BT-HP.32-SST-p-M8x40	32	23	M8	17	6.5	8.5	40	10	4	9	7 ÷ 10	14 ÷ 20	21 ÷ 30	27